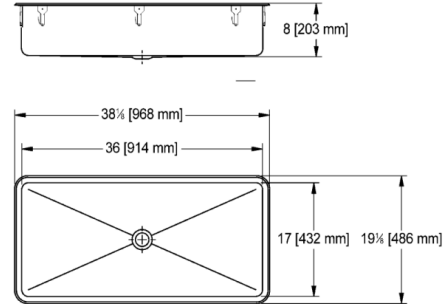


# ART36-1 Art room sink, no ledge

MODEL RANGE: COMMERCIAL SINKS | ART36-1

Utility sinks | Topmount sinks



Single compartment self rimming topmount sink less faucet ledge. 18 gauge (1.2 mm), type 304 (CNS 18/10) stainless steel. Exposed surfaces are #4 satin finished. Undercoated to reduce condensation and resonance. Includes waste fitting, factory applied rim seal, and factory installed EZ TORQUE™ fasteners. Certified to ASME A112.19.3-2008 / CSA B45.4-08. Centre waste location. Includes 3 1/2" (89 mm) crumb cup strainer with 1 1/2" (DN38) brass tailpiece

19 1/8 x 38 1/8" Overall. 17 x 36 x 8" Bowl. (FB x LR x D).

486 x 969 mm Overall. 432 x 914 x 203 mm Bowl. (FB x LR x D).

## Technical data

Bowl height	8 inch
Bowl width	17 "
Bowl depth	36 "
Overall depth	19 1/8 "
Overall width	38 1/8 "
Material	Stainless steel
Material code	1.4301 Chrome Nickel steel V2A
Tailor made	No
Tap ledge	No
Waste hole position	Center
Bowl finish	Satin finish
Number of bowls	1.00000
Overflow	No
Number of tap holes	0.00000
Type of waste kit	3 1/2" crump cup strainer
Type of basin	Single compartment

## PROJECT INFORMATION

Item Location	
Project Number	
Quote Number	
Notes	

## ENGINEER'S APPROVAL