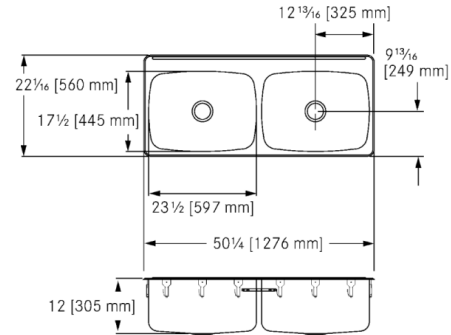


LBD7412P-1 Double, with ledge, 18 gauge

MODEL RANGE: COMMERCIAL SINKS | LBD7412P-1

Commercial sinks | Topmount sinks



Double compartment self rimming topmount sink with faucet ledge. 18 gauge (1.2 mm), type 304 (CNS 18/10) stainless steel. Exposed surfaces are #4 satin finished. Undercoated to reduce condensation and resonance. Includes waste fittings, factory applied rim seal, cutout template, and factory installed EZ TORQUE™ fasteners. Certified to ASME A112.19.3-2008 / CSA B45.4-08.

Centre waste location. Includes 3 1/2" (89 mm) crumb cup strainer with 1 1/2" (DN38) brass tailpiece.

Model Options:

LBD7412P-1/1, 1 faucet hole, 1 1/2" diameter

LBD7412P-1/3, 3 faucet holes, 1 1/2" diameter, 4" centres, 8" centreset

LBD7412P-1/4, 4 faucet holes, 1 1/2" diameter, 4" centres (non-returnable)

LBD7412P-1, Custom (non-returnable)

22 1/16 x 50 1/4" Overall. 17 1/2 x 23 1/2 x 12" Bowl. (FB x LR x D).

560 x 1276 mm Overall. 445 x 597 x 305 mm Bowl. (FB x LR x D).

Technical data

Bowl height	12 inch
Bowl width	17 1/2 "
Bowl depth	23 1/2 "
Overall depth	22 1/16 "
Overall width	50 1/4 "
Material	Stainless steel
Material code	1.4301 Chrome Nickel steel V2A
Tailor made	No
Tap ledge	Yes
Waste hole position	Center
Bowl finish	Satin finish
Number of bowls	2.00000
Overflow	No
Number of tap holes	0.00000
Type of waste kit	3 1/2" crump cup strainer
Spillway	No
Type of basin	Double compartment

PROJECT INFORMATION

Item Location	
Project Number	
Quote Number	
Notes	

ENGINEER'S APPROVAL