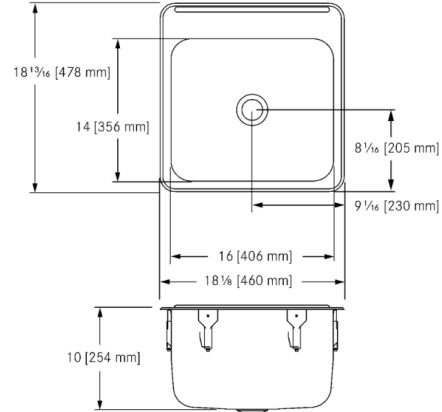


LBS46 10/3 16P-1 Single, with ledge T3 16

MODEL RANGE: COMMERCIAL SINKS | LBS46 10-3 16P-1

Type 316 stainless sinks | Topmount sinks



Single compartment self rimming topmount sink with faucet ledge. 18 gauge (1.2 mm), type 316 (EN 1.4401 17/12/2) stainless steel. Exposed surfaces are #4 satin finished. Undercoated to reduce condensation and resonance. Includes waste fitting, factory applied rim seal, cutout template, and factory installed EZ TORQUE™ fasteners. Certified to ASME A112.19.3-2008 / CSA B45.4-08.

Centre waste location, 3 1/2" (89 mm) type 316 (EN 1.4401 17/12/2) stainless steel crumb cup strainer with 1 1/2" (DN38) type 316 (EN 1.4401 17/12/2) stainless steel tailpiece.

Model Options:

LBS4610/316P-1/1, 1 faucet hole 1 1/2" diameter

LBS4610/316P-1/2, 2 faucet holes 1" diameter 2 3/4" centreset

LBS4610/316P-1/3, 3 faucet holes 1 1/2" diameter, 8" centreset

18 13/16 x 18 1/8" Overall. 14 x 16 x 10" Bowl. (FB x LR x D).

478 x 460 mm Overall. 356 x 406 x 254 mm Bowl. (FB x LR x D).

Technical data

Bowl height	10 inch
Bowl width	14 "
Bowl depth	16 "
Overall depth	18 13/16 "
Overall width	18 1/8 "
Material	Stainless steel
Material code	1.4301 Chrome Nickel steel V2A
Tailor made	No
Tap ledge	Yes
Waste hole position	Center
Bowl finish	Satin finish
Number of bowls	1.00000
Overflow	No
Number of tap holes	0.00000
Type of waste kit	3 1/2" crump cup strainer
Type of basin	Single compartment

PROJECT INFORMATION

Item Location	
Project Number	
Quote Number	
Notes	

ENGINEER'S APPROVAL