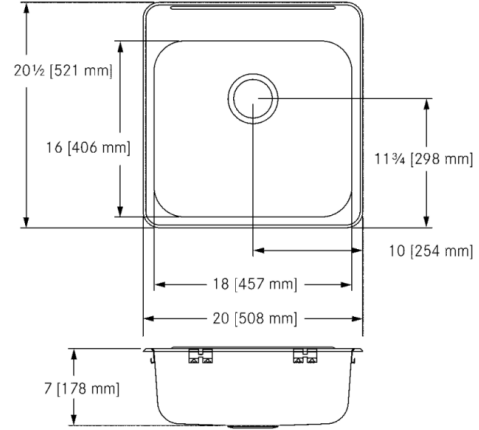


LBS6807/316P-1 Single, with ledge T316

MODEL RANGE: COMMERCIAL SINKS | LBS6807-316P-1

Type 316 stainless sinks | Topmount sinks



Single compartment self rimming topmount sink with faucet ledge. 18 gauge (1.2 mm), type 316 (EN1.4401 17/12/2) stainless steel. Exposed surfaces are #4 satin finished. Undercoated to reduce condensation and resonance. Includes waste fitting, factory applied rim seal, cutout template, and factory installed EZ TORQUE™ fasteners. Certified to ASME A112.19.3-2008 / CSA B45.4-08.

Centre back waste location, 3 1/2" (89 mm) type 316 (EN1.4401 17/12/2) stainless steel crumb cup strainer with 1 1/2" (DN38) type 316 (EN1.4401 17/12/2) stainless steel tailpiece.

Model Options:

LBS6807/316P-1/1, 1 faucet hole, 1 1/2" diameter

LBS6807/316P-1/3, 3 faucet holes, 1 1/2" diameter, 4" centres, 8" centreset

LBS6807/316P-1, Custom (non-returnable)

20 9/16 x 20" Overall. 16 x 18 x 7" Bowl. (FB x LR x D).

522 x 508 mm Overall. 406 x 457 x 178 mm Bowl. (FB x LR x D).

Technical data

Bowl height	7 inch
Bowl width	16 "
Bowl depth	18 "
Overall depth	20 1/2 "
Overall width	20 "
Material	Stainless steel
Material code	1.4404
Tailor made	No
Tap ledge	Yes
Waste hole position	Center back
Bowl finish	Satin finish
Number of bowls	1.00000
Overflow	No
Number of tap holes	0.00000
Type of waste kit	3 1/2" crump cup strainer
Type of basin	Single compartment

PROJECT INFORMATION

Item Location
Project Number
Quote Number
Notes

ENGINEER'S APPROVAL