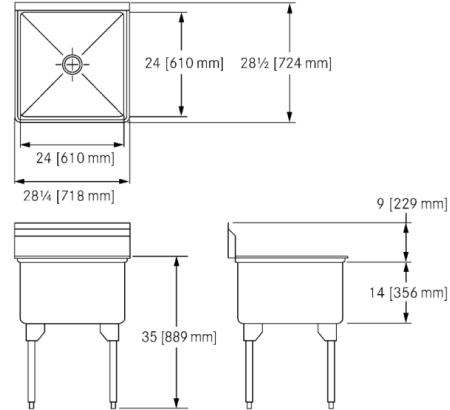
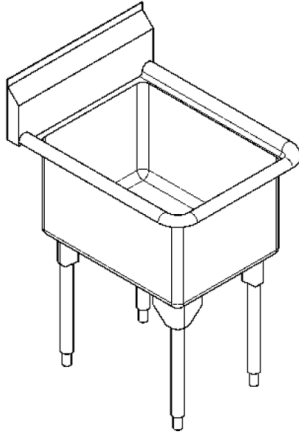


RSL2424-1 Single, 16 gauge

MODEL RANGE: COMMERCIAL SINKS | RSL2424-1

Utility sinks | Multi purpose sinks



Single compartment "Restaurant Series" scullery sink. These sculleries are free standing scullery sinks constructed with hygiene and food safety in mind. All radius covered bowl corners are easy to clean and there are no cracks or seams for bacteria to grow in. 16 gauge (1.5 mm), type 304 (CNS 18/10) stainless steel. Polished to a #4 satin finish. Finished with a rolled rim. Stainless steel tubular legs with adjustable feet for leveling. Waste fitting included. Certified to ASME A112.19 .3-2008 / CSA B45.4-08. Please allow 4 weeks for delivery. This series of scullery sinks are built to order and are non-returnable.

Centre waste location. Includes 3 1/2" (89 mm) crumb cup strainer with 1 1/2" (DN38) brass tailpiece

Model Options:

RSL2424-1/2, 2 faucet holes, 1 1/4" diameter, 8" centreset

RSL2424-1, Custom (non-returnable)

28 1/2 x 28 1/4" Overall. 24 x 24 x 14" Bowl. (FB x LR x D).

724 x 718 mm Overall. 610 x 610 x 356 mm Bowl. (FB x LR x D).

Technical data

Bowl height	14 inch
Bowl width	24 "
Bowl depth	24 "
Overall depth	28 1/2 "
Overall height	44 "
Overall width	28 1/4 "
Material	Stainless steel
Material code	1.4301 Chrome Nickel steel V2A
Tailor made	No
Tap ledge	No
Waste hole position	Center
Bowl finish	Satin finish
Overflow	No
Splash back	Yes
Type of waste kit	CRUMP-CUP
Bowl construction	Radius corners
Drainer or storage	No

PROJECT INFORMATION

Item Location
Project Number
Quote Number
Notes

ENGINEER'S APPROVAL