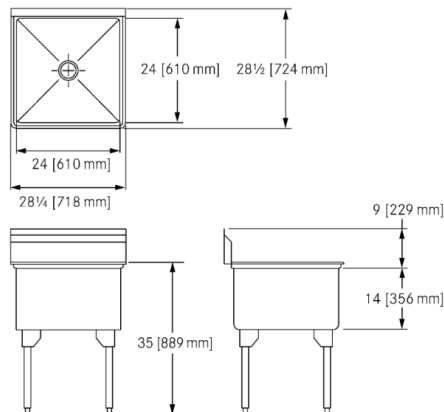
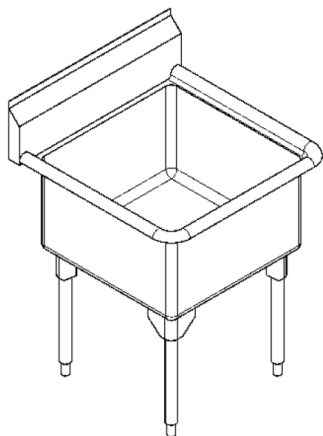


WSL2424-1 Single, 14 gauge

MODEL RANGE: COMMERCIAL SINKS | WSL2424-1

Utility sinks | Multi purpose sinks



Single compartment "World Class Series" scullery sink. These sculleries are free standing scullery sinks fabricated from heavy 14 gauge (2.0 mm) type 304 (CNS 18/10) stainless steel. and designed for hygiene and food safety. Polished to a #4 satin finish. Finished with a rolled rim. Stainless steel tubular legs with adjustable feet for leveling. Waste fitting included. Certified to ASME A112.19.3-2008 / CSA B45.4-08.

Please allow 4 weeks for delivery. This series of scullery sinks are built to order and are non-returnable. Centre waste location. Includes 3 1/2" (89 mm) crumb cup strainer with 1 1/2" (DN38) brass tailpiece.

Model Options:

WSL2424-1/2, 2 faucet holes, 1 1/4" diameter, 8" centreset

WSL2424-1, Custom (non-returnable)

28 1/2 x 28 1/4" Overall. 24 x 24 x 14" Bowl. (FB x LR x D).
724 x 718 mm Overall. 610 x 610 x 356 mm Bowl. (FB x LR x D).

Technical data

Bowl height	14 inch
Bowl width	24 "
Bowl depth	24 "
Overall depth	28 1/2 "
Overall height	44 "
Overall width	28 1/4 "
Tap hole diameter	1 1/2 mm
Material	Stainless steel
Material code	1.4301 Chrome Nickel steel V2A
Tailor made	No
Tap ledge	No
Waste hole position	Center
Bowl finish	Satin finish
Overflow	No
Splash back	Yes
Type of waste kit	CRUMP-CUP
Waste size	DN 40
Bowl construction	Radius corners
Drainer or storage	No

PROJECT INFORMATION

Item Location
Project Number
Quote Number
Notes

ENGINEER'S APPROVAL