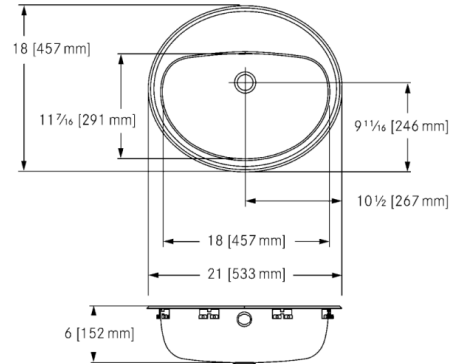


# OV1821/6/1 Topmount, with ledge, overflow

MODEL RANGE: COMMERCIAL SINKS | OV1821-6-1

Vanity basin | Ledgeback



Single compartment self rimming vanity basin with faucet ledge. 18 gauge (1.2 mm), type 304 (CNS 18/10) stainless steel. Mirror finished rim, #4 satin finished bowl. Undercoated to reduce condensation and resonance. Includes factory applied rim seal, cutout template, and installation hardware. Certified to ASME A112.19.3-2008 / CSA B45.4-08.

Centre back waste location, accepts 1 1/4" (32 mm) waste assembly (not included), integral overflow at front of bowl.

1 faucet hole, 1 1/2" (38 mm) diameter.

18 x 21" Overall. 11 7/16 x 18 x 6" Bowl. (FB x LR x D).

457 x 533 mm Overall. 291 x 457 x 152 mm Bowl. (FB x LR x D).

## Technical data

Bowl height	6 inch
Bowl width	11 7/16 "
Bowl depth	18 "
Overall depth	18 "
Overall width	21 "
Tap hole diameter	1 1/2 mm
Material	Stainless steel
Material code	1.4301 Chrome Nickel steel V2A
Tailor made	No
Tap ledge	Yes
Waste hole position	Center back
Bowl finish	Satin finish
Number of bowls	1.00000
Number of tap holes	1.00000
Type of waste kit	OPTIONAL-GRID-STRAINER
Waste size	DN 32
Overflow position	Front
Type of basin	Vanity basin

## PROJECT INFORMATION

Item Location	
Project Number	
Quote Number	
Notes	

## ENGINEER'S APPROVAL