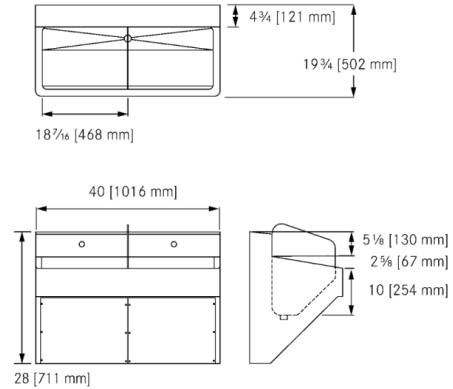
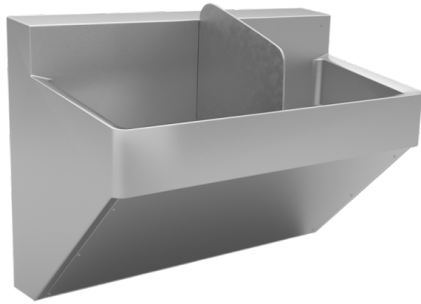


SSU2-2040-00 Premium scrub sink, double, 16 gauge

MODEL RANGE: HEALTHCARE | SSU2-2040-00

Special hospital equipment | Surgical scrub stations



Double compartment premium surgical scrub station. 16 gauge (1.5 mm), type 304 (CNS 18/10) stainless steel. Polished #4 satin finish. Radius covered bowl corners. Access panel for service and maintenance. Integral 1 1/2"-16 (38 mm) threaded tailpiece. Supplied with wall hanger brackets. Surface treated with SANIGUARD® product protection. Standard hole drilling is 1 1/8" (28 mm) diameter 2 1/2" (64 mm) below backsplash crease. Certified to ASME A112.19.3-2008 / CSA B45.4-08. Please allow 4 weeks for delivery.

Design Features:

- Surgical scrub stations designed with sloped edges to minimize free-standing water
- Special integral waste design to prevent use of a waste plug, with 1 1/2" threaded tailpiece for use with offset waste.-
- SANIGUARD® product protection is effective against most common bacteria, yeasts, molds and fungi that cause stains, odors and product deterioration. SANIGUARD® product protection is designed to protect the product itself and will not protect the user or others from food-borne illness or disease. Always follow proper hygienic and cleaning procedures when using this product. 40" (1016 mm) overall width with 37 1/2" (953 mm) wide sink compartment

19 3/4 x 40" Overall. 13 1/2 x 37 1/2 x 10" Bowl. (FB x LR x D).
502 x 1016 mm Overall. 343 x 953 x 254 mm Bowl. (FB x LR x D).

Technical data	
Bowl height	10 inch
Bowl width	13 1/2 "
Bowl depth	37 1/2 "
Overall depth	19 3/4 "
Overall height	28 "
Overall width	40 "
Material	Stainless steel
Material code	1.4301 Chrome Nickel steel V2A
Tailor made	No
Waste hole position	Center
Bowl finish	Satin finish
Number of bowls	2.00000
Overflow	No
Splash back	Yes
Number of tap holes	0.00000
Type of waste kit	Threaded tailpiece
Surface treatment	Saniguard
Type of basin	Double compartment

PROJECT INFORMATION	
Item Location	
Project Number	
Quote Number	
Notes	

ENGINEER'S APPROVAL

