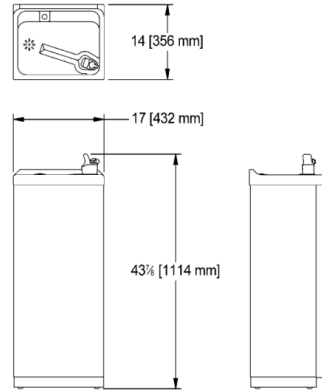


KEP16FAWHDCP-STN Classic chilled fountain

MODEL RANGE: DRINKING-FOUNTAINS | KEP16FAWHDCP-STN

Drinking fountains | Drinking fountains



Special purpose free standing water cooled drinking fountain. Special protective coating is applied to compressor, condenser, cooling tank, pre-cooler, water drain and interconnecting water and refrigeration lines.

Waterways are lead-free in materials construction. Stainless steel top with heavy gauge steel frame. High efficiency cooling tank and coil. Dial-a-drink bubbler.

Delivers 15.5 gph of chilled water, enhanced corrosion resistant stainless steel cabinet, frame, base parts and fasteners.

14 x 17 x 43 7/8" Overall (FB x LR x H).

356 x 432 x 1114 mm Overall (FB x LR x H).

Technical data

Material thickness	1/16 mm
Overall depth	14 "
Overall height	43 7/8 "
Overall width	17 "
Material	Steel
Tailor made	No
Type of mounting	Flour mounting
Surface finish	Satin finished
Type of operation	Manual operation
Outlet size	DN 32
Input supply voltage Hz	60.00000 hertz
Input supply voltage V	115.00000 volt
Total power	600.00000 watt
Cooling capacity	58.90000 liter per hour

PROJECT INFORMATION

Item Location
 Project Number
 Quote Number
 Notes

ENGINEER'S APPROVAL

KEP16FAWHDCP-STN Classic chilled fountain

MODEL RANGE: DRINKING-FOUNTAINS | KEP16FAWHDCP-STN

Drinking fountains | Drinking fountains

Spare Parts



030774-006 Dial-a-drink bubbler
replacement

2000103116

030774-006

