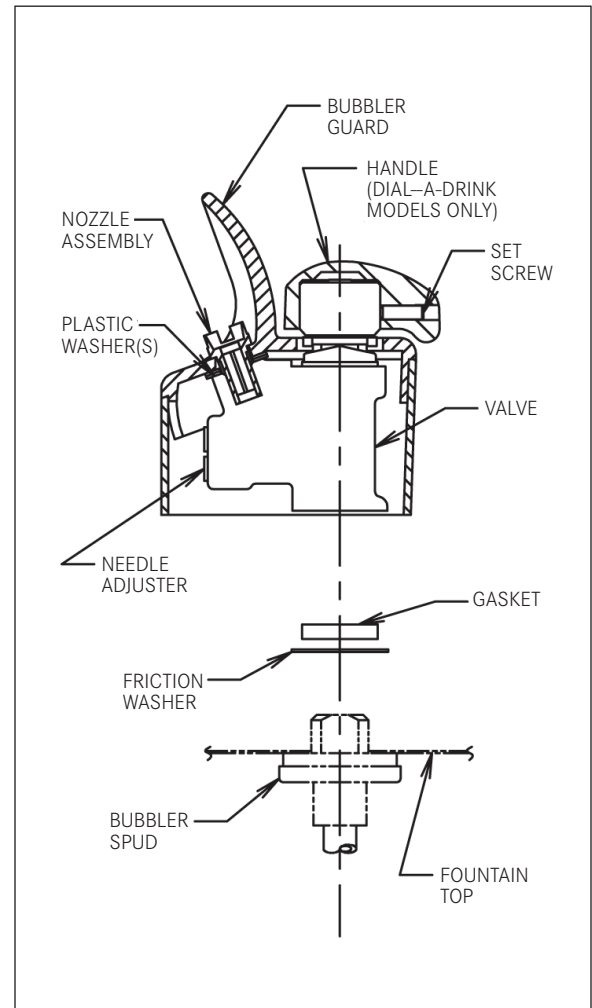


# VALVE INSTALLATION/ADJUSTMENT

MODELS: DIAL-A-DRINK BUBBLER

## INSTRUCTIONS

1. Remove handle (DIAL-A-DRINK models only), unscrew and remove nozzle, lift off bubbler guard (See diagram to the right).
2. Place friction washer on bubbler spud first, then gasket.
3. Stream height should be 5 1/2". To regulate, turn needle adjuster clockwise to lower stream or counter-clockwise to raise stream.
4. Place plastic washer(s) on valve nozzle hole and assemble bubbler guard over valve.
5. Screw nozzle firmly into place.
6. Position handle with a 1/32" vertical clearance between handle and bubbler guard on the side nearest nozzle. Tighten set screw only enough to prevent removal.



Franke Kindred Canada Limited  
1000 Franke Kindred Road  
Midland, ON L4R 4K9  
CANADA

Tel. 1-866-687-7465  
Fax 1-800-361-8408  
www.franke-commercial.com

