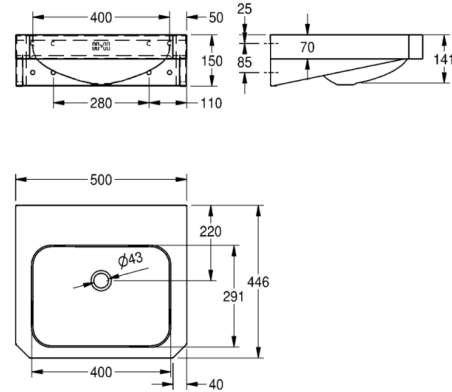


# WT500C-8 Wall Hung, designer, 19 gauge, overflow

MODEL RANGE: TUBS-BASINS | WT500C-8

Hand wash basins | Wash basins



Single wash basin for wall mounting, stainless steel, surface satin finished, material thickness 1 mm (19 gauge), seamless welded bowl with diameter 400 x 300 x 135 mm, rectangular shape, 105 mm tap ledge, front panel with 45° corner edges, prewelded mounting brackets, mounting conform EN 31, including screws and dowels. Optional shroud also available (refer to specification page WT-RS)

With overflow, accepts 1 1/4 in. (32 mm) waste - not included.

Model Options:

WT500C-8, Custom (non returnable), specify hole drilling

WT500C-8/1, 1 faucet hole 1 3/8 in. (35 mm).

## Technical data

Bowl height	5 9/16 inch
Bowl width	11 7/16 "
Bowl depth	15 3/4 "
Material thickness	1/16 mm
Overall depth	17 9/16 "
Overall height	5 15/16 "
Overall width	19 11/16 "
Waste hole projection	8 11/16 mm
Material	Stainless steel
Material code	1.4301 Chrome Nickel steel V2A
Tailor made	No
Tap ledge	Yes
Type of mounting	Wall mounting
Waste hole position	Center back
Bowl finish	Satin finish
Bowl shape	Rectangle
Number of bowls	1.00000
Overflow	Yes
Rear upstand	No
Surface finish	Satin finished
Number of tap holes	0.00000
Waste size	DN 32

## PROJECT INFORMATION

Item Location  
 Project Number  
 Quote Number  
 Notes

## ENGINEER'S APPROVAL