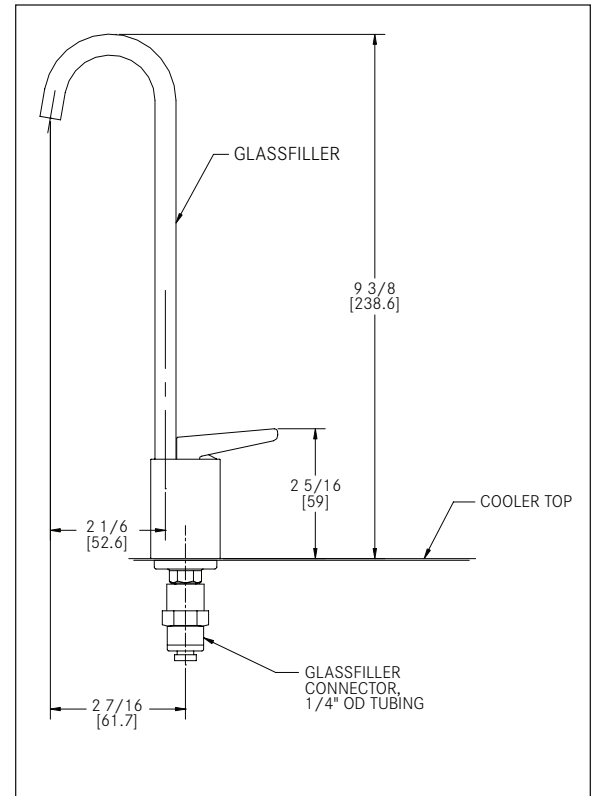


# GLASSFILLER

## INSTALLATION INSTRUCTIONS

- STEP 1** Place gasket over supply spud.
- STEP 2** Start and tighten Glassfiller body onto the supply spud and center on the platform.
- STEP 3** It may be necessary to realign the Gooseneck. To do so, turn the Gooseneck clockwise until it is positioned correctly.
- STEP 4** Turn on the water supply and check for leaks.

**NOTE:** The water flow rate is pre-set at the factory and does not require adjustment.



Franke Kindred Canada Limited  
1000 Franke Kindred Road  
Midland, ON L4R 4K9  
CANADA

Tel. 1-866-687-7465  
Fax 1-800-361-8408  
[www.franke-commercial.com](http://www.franke-commercial.com)

