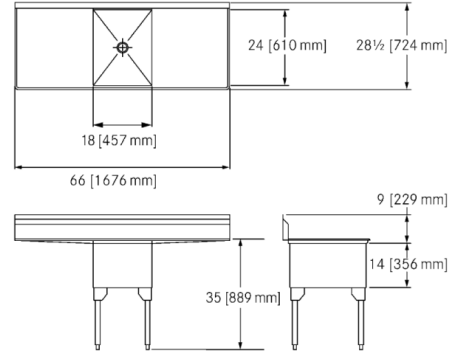
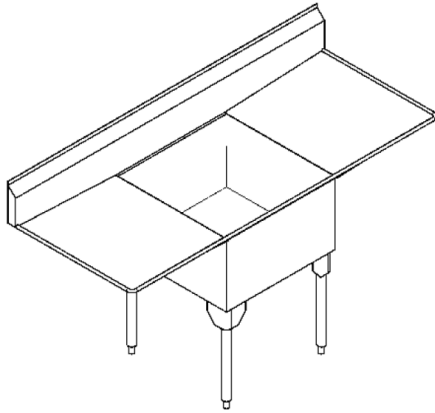


SSL2418LR-1 Single, left & right drainboard, 14 gauge

MODEL RANGE: COMMERCIAL SINKS | SSL2418LR-1

Utility sinks | Multi purpose sinks



Single compartment "Service Series" scullery sink. These sculleries are purpose built utility free standing utility sinks which can handle anything you throw at it. Heavy 14 gauge (2.0 mm), type 304 (CNS 18/10) stainless steel. Polished to a #4 satin finish. Compartment is fully welded square corner construction. Finished with a rolled rim. Left and right drainboards sloped toward bowl. Stainless steel tubular legs with adjustable feet for leveling. Waste fitting included. Certified to ASME A112.19.3-2008 / CSA B45.4-08.

Please allow 4 weeks for delivery. This series of scullery sinks are built to order and are non-returnable.

With left and right drainboard. Centre waste location. Includes 3 1/2" (89 mm) crumb cup strainer with 1 1/2" (DN38) brass tailpiece.

Model Options:

SSL2418LR-1/2, 2 faucet holes, 1 1/4" diameter, 8" centreset

SSL2418LR-1, Custom (non-returnable)

28 1/2 x 66" Overall. 24 x 18 x 14" Bowl. (FB x LR x D).

724 x 1676 mm Overall. 610 x 457 x 356 mm Bowl. (FB x LR x D).

Technical data	
Bowl height	14 inch
Bowl width	24 "
Bowl depth	18 "
Overall depth	28 1/2 "
Overall height	44 "
Overall width	66 "
Drainer position	Left / right
Material	Stainless steel
Bowl finish	Satin finish
Splash back	Yes
Type of waste kit	CRUMP-CUP
Bowl construction	Square corner
Drainer or storage	Drainer
Number of waste holes	1.00000
Splash back height	9 mm

PROJECT INFORMATION
Item Location
Project Number
Quote Number
Notes

ENGINEER'S APPROVAL