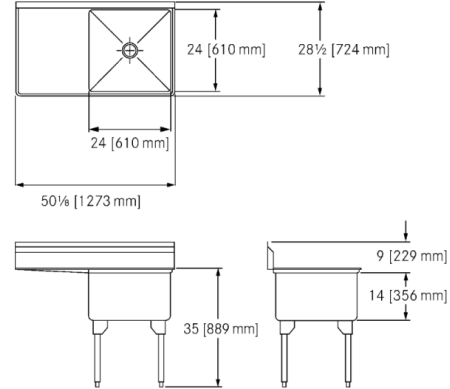
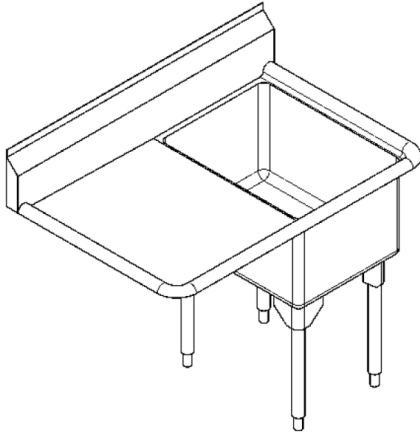


RSL2424L-1 Single, left drainboard, 16 gauge

MODEL RANGE: COMMERCIAL SINKS | RSL2424L-1

Utility sinks | Multi purpose sinks



Single compartment "Restaurant Series" scullery sink. These sculleries are free standing scullery sinks constructed with hygiene and food safety in mind. All radius covered bowl corners are easy to clean and there are no cracks or seams for bacteria to grow in. 16 gauge (1.5 mm), type 304 (CNS 18/10) stainless steel. Polished to a #4 satin finish. Finished with a rolled rim. Left or right drainboard sloped toward bowl. Stainless steel tubular legs with adjustable feet for leveling. Waste fitting included. Certified to ASME A112.19.3-2008 / CSA B45.4-08.

Please allow 4 weeks for delivery. This series of scullery sinks are built to order and are non-returnable.

With left side drainboard. Centre waste location. Includes 3 1/2" (89 mm) crumb cup strainer with 1 1/2" (DN38) brass tailpiece.

Model Options:

RSL2424L-1/2, 2 faucet holes, 1 1/4" diameter, 8" centreset

RSL224L-1, Custom (non-returnable)

28 1/2 x 50 1/8" Overall. 24 x 24 x 14" Bowl. (FB x LR x D).

724 x 1273 mm Overall. 610 x 610 x 356 mm Bowl. (FB x LR x D).

Technical data

Bowl height	14 inch
Bowl width	24 "
Bowl depth	24 "
Overall depth	28 1/2 "
Overall height	44 "
Overall width	50 1/8 "
Drainer position	Left
Material	Stainless steel
Bowl finish	Satin finish
Splash back	Yes
Type of waste kit	CRUMP-CUP
Bowl construction	Radius corners
Drainer or storage	Drainer
Number of waste holes	1.00000
Splash back height	9 mm

PROJECT INFORMATION

Item Location	
Project Number	
Quote Number	
Notes	

ENGINEER'S APPROVAL