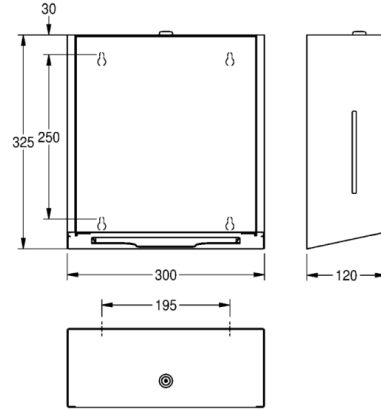


EXOS. paper towel dispenser

MODEL RANGE: EXOS | EXOS600W

Washroom accessories | Paper towel dispensers



Paper towel dispenser for wall mounting, stainless steel with satin finish, white safety glass front panel, casing with InoxPlus surface refinement for the reduction of finger marks and better cleaning characteristics (easy to clean), material thickness 1.2 mm, inspection window on side, capacity 300 - 400 pieces of Z-folded paper, includes mounting materials.

Dimensions 300 x 325 x 120 mm (W x H x D)

Technical data	
Material thickness	1/16 mm
Overall depth	4 3/4 "
Overall height	12 13/16 "
Overall width	11 13/16 "
Material	Stainless steel
Material code	1.4301 Chrome Nickel steel V2A
Type of mounting	Wall mounting
Surface finish	Satin finished
Type of fixing	Screw
Filling quantity	400.00000
Filling quantity uom	Towels
Lock	Key-lock
Type of consumable	Paper towel
Type of operation	Manual operation
Surface treatment	InoxPlus (anti fingerprint)

PROJECT INFORMATION
Item Location
Project Number
Quote Number
Notes

ENGINEER'S APPROVAL