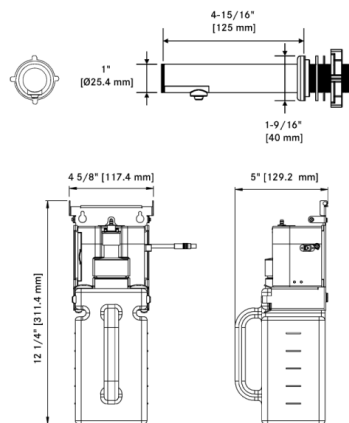


Aqua-Foam WM soap disp satin

MODEL RANGE: ACCESSOIRES | SD01-001SFL

Washroom accessories | Soap dispensers



Aqua-foam dispensers are suitable for a wide range of environments including; hospitals, airports, highway services, food preparation facilities, supermarkets and more. Hands free operation. Spouts are T304 stainless steel. AC powered with indicator light to alert of events such as low soap tank, wrong type of soap used or motor blockage/failure. 48 hour auto-dispense cycle to prevent clogging. Sensor range 10 +/-2cm (4 +/- 7/8"). Foam dispensing volume 0.6-0.8ml (0.020-.027oz). For foam soaps with viscosity of 1-50 cP(mPa-s).

Satin Finish.

4 15/16" x 1" x 1" Overall (FB x LR x H).
125 x 25.4 x 25.4 mm Overall (FB x LR x H).

Technical data	
Overall depth	4 15/16 "
Overall height	1 "
Overall width	1 "
Material	Stainless steel
Surface finish	Satin finished
Filling quantity	1.50000
Filling quantity uom	Liter
Type of consumable	Foam soap
Type of operation	Sensor operation
Type of soap container	External refillable tank
Input supply voltage V	120.00000 volt

NEW

PROJECT INFORMATION

Item Location	
Project Number	
Quote Number	
Notes	

ENGINEER'S APPROVAL

