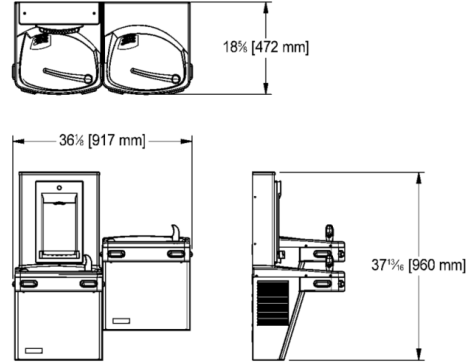


Chilled split combination fountain

MODEL RANGE: DRINKING-FOUNTAINS | KEP8ACSL-SBF-GRY

Drinking fountains | Drinking fountains



Combination chilled split level drinking fountain with sports bottle filler. Deep alcove to accommodate for larger diameter containers even if they have a small neck. Sports bottle filler cabinet finish is brushed stainless steel. Waterways are lead-free in materials and construction. Surface mount frame assembly. Units have built-in 100 micron strainer stops particles before they enter the waterway. One piece stainless steel top. Low flow bubbler with flexible guard. Heavy duty galvanized steel frame. Moulded components utilize a silver-based antimicrobial compound that reduces the growth of micro-organisms and mildew to protect surfaces from discoloration, odours, and degradation. Unit will comply with wheelchair accessibility when properly installed. Manual drinking fountain activation using anti-microbial push pads. Compressor is hermetically sealed, reciprocating type, single phase, lifetime lubrication. The condenser is cooled with a permanently lubricated fan motor. Stainless steel cooling tank with continuous copper tubing. Factory preset thermostat, (adjustable to compensate for altitude requirements) easily accessible by removal of front panel. R134a refrigerant. Product Certified to NSF/ANSI Standard 61, Annex G (weighted average lead content of $\leq 0.25\%$) and is in compliance with California's Health & Safety Code Section 116875 (commonly known as AB1953). Models covered by this specification comply with all known Plumbing Codes. Listed by Underwriters' Laboratories to U.S. and Canadian standards. 8 gph chiller, graystone finish, manually activated sports bottle filler. Optional filter kit F036930-001. 18 9/16 x 36 1/8 x 37 13/16" Overall (FB x LR x H). 472 x 917 x 960 mm Overall (FB x LR x H).

Technical data

Overall depth	18 9/16 "
Overall height	37 13/16 "
Overall width	36 1/8 "
Material	Steel
Tailor made	No
Type of mounting	Wall mounting
Surface finish	Powder coat galvanized
Waste size	DN 32
Type of operation	Manual operation
Outlet size	DN 32
Input supply voltage Hz	60.00000 hertz
Input supply voltage V	115.00000 volt
Motor power	500.00000 watt
Total power	500.00000 watt
Cooling capacity	30.40000 liter per hour

PROJECT INFORMATION

Item Location	
Project Number	
Quote Number	
Notes	

ENGINEER'S APPROVAL