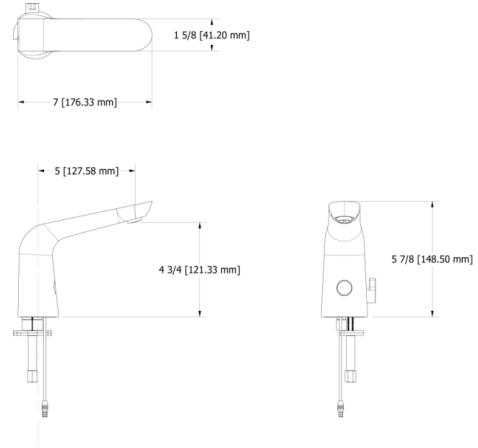


Temperature adjustable faucet chrome

MODEL RANGE: TAPS_OTHERS | HHF23T

Faucets | Electronic faucets



Hands free faucet for deck mounting, chrome finish, flat top style with temperature adjust and laminar flow. Easy to install with an adjustable sensor range. Sensor located near faucet base. Battery operated (DC), or plug in (AC) with battery backup, plug in transformer supplied. Certified to ASME A112.18.1/CSA B125.1

HHF23T: 3.8 L/min, 1 gpm

HHF23T-LF: 1.3 L/min, 0.35 gpm The battery life is around 100,000 cycles (if running on battery only).

Technical data	
Overall depth	6 15/16 "
Overall height	5 7/8 "
Overall width	2 7/16 "
Type of mounting	Counter top mounting
Type of operation	Sensor operation
Material casing	Brass
Type of mixing	With mixing
Calculation flow rate cold water	0.00500 liter per second
Minimum flow pressure	1.00000 bar
Spout projection	5 mm
Volume flow rate at 3 bar	0.08000 liter per second
Functional principle	Electronic self-closing
Default automatic hygiene flushing	24h after the last activity
Type of sensor	Opto-electronic sensor
Surface finish casing	Chromed

NEW

PROJECT INFORMATION	
Item Location	
Project Number	
Quote Number	
Notes	

ENGINEER'S APPROVAL